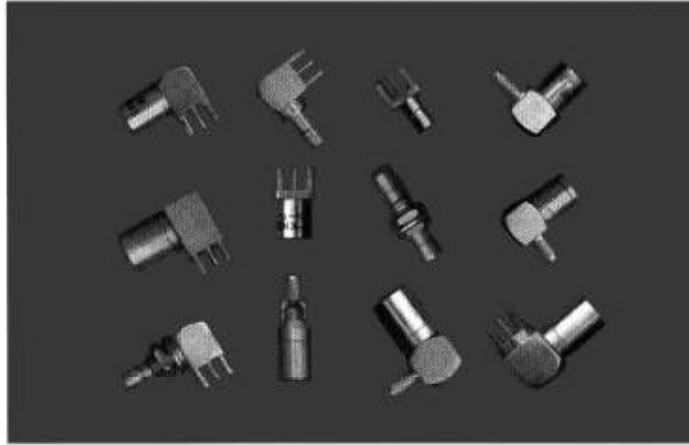


**SERIES SSMB-75
RF COAXIAL CONNECTORS**



Series SSMB-75 is the same as SMB RF coaxial connectors, except that center conductor is different from insulator put to match the interface. It is miniature snap-on style 75Ω connector.

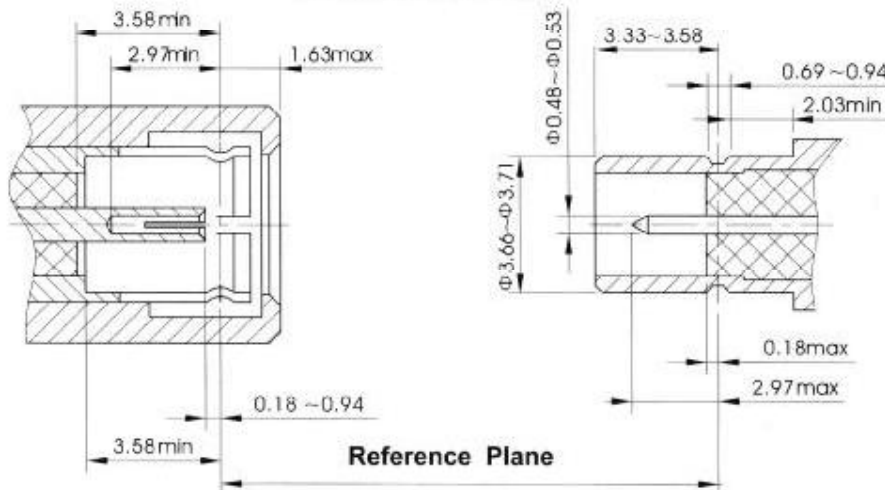
Key performance

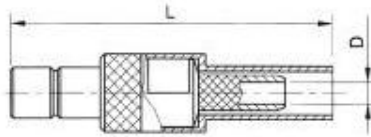
- Characteristic Impedance : 75 Ω
- Frequency range : 0~1GHz
- Contact resistance :
 - Center conductor $\leq 10.0m\ \Omega$
 - Out conductor $\leq 3.0m\ \Omega$
- Insulation resistance : $\geq 1000M\ \Omega$
- Insulator voltage withstanding : 750V
- Connector durability : 500 cycles
- Applicable spec/std : MIL-C-39012**

Material

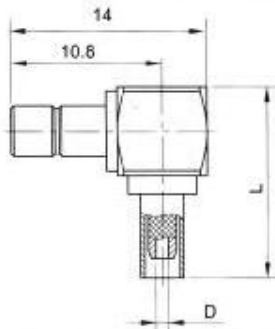
- Center contacts:
 - Male---brass, gold plated.
 - Female---beryllium copper, gold plated
- Bodies and other metal parts:
 - brass, gold plated
- Insulators: Teflon
- Crimp ferrule: copper, nickel plated.
- Gasket and seal rings: silicone rubber
- Heat-shrink tubing: thermofit plastic.

Interface Dimensions

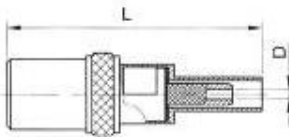




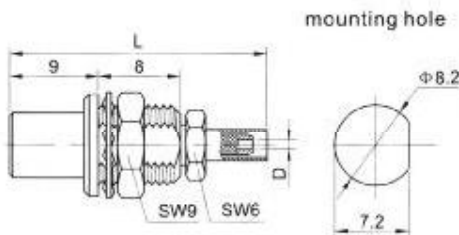
Type	part number	suitable cable	L	D	Note
SSMB-75J2	5510-6500	2	22.6	Φ0.9	
SSMB-75J3	5510-6501	3	23.6	Φ1.6	



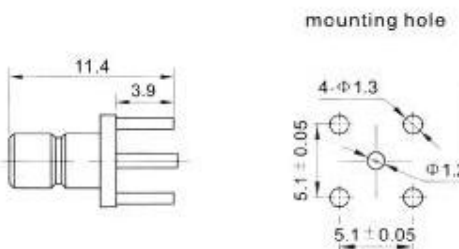
Type	part number	suitable cable	L	D	Note
SSMB-75JW2	5530-6500	2	13.7	Φ0.9	
SSMB-75JW3	5530-6501	3	14.3	Φ1.6	



Type	part number	suitable cable	L	D	Note
SSMB-75K2	5520-6500	2	23.2	Φ0.9	
SSMB-75K3	5520-6501	3	24.2	Φ1.6	



Type	part number	suitable cable	L	D	Note
SSMB-75KY2	5520-2500	2	27	Φ0.9	
SSMB-75KY3	5520-2501	3	27.5	Φ1.6	



Type	part number	Note
SSMB-75JHD	5510-5800	