

## SERIES J.STWX8 RF COAXIAL CONNECTORS



Series J.STWX8 push-pull self-latching style RF coaxial connector is developed for use in military radar. It convenient in insertion and withdrawal, reliable in connection and vibration resistance.

### Key performance

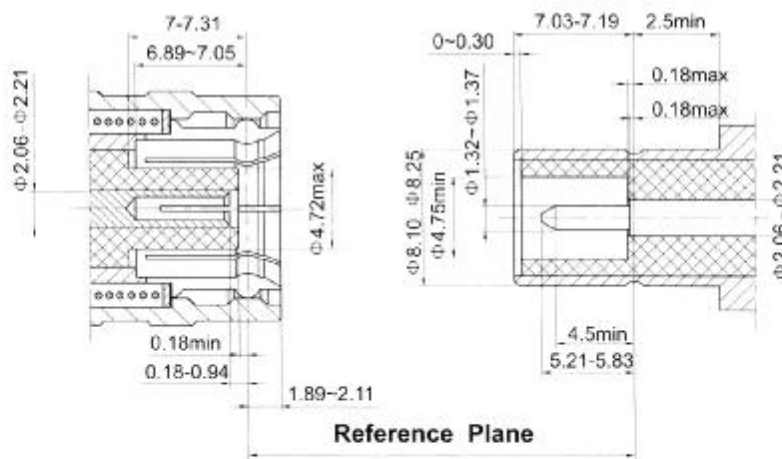
Characteristic Impedance : 50  $\Omega$   
 Frequency range : 0~4GHz  
 Contact resistance :  
     Center conductor  $\leq 1.5m\Omega$   
     Out conductor  $\leq 1.0m\Omega$   
 Insulation resistance :  $\geq 5000M\Omega$   
 Insulator voltage withstanding : 1500V  
 VSWR :  $\leq 1.30$   
 Connector durability : 500 cycles

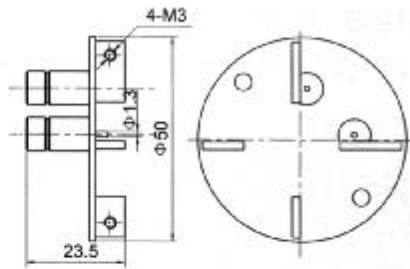
Applicable spec/std : J.FD/Q2003-01

### Material

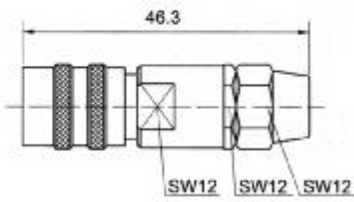
Center contacts:  
     Male—brass, gold plated.  
     Female—beryllium copper, gold plated  
 Bodies other metal parts:  
     brass, gold plated  
 Insulators: Teflon  
 Crimp ferrule: copper, nickel plated.  
 Gasket and seal rings: silicone rubber  
 Heat-shrink tubing: thermofit plastic.

### Interface Dimensions





Type	part number	Note
J.STWX8-JJFD	2711-1901	body nickel plated



Type	part number	suitable cable	Note
J.STWX8-K501	2721-6701	501	body nickel plated front covering, stainless steel