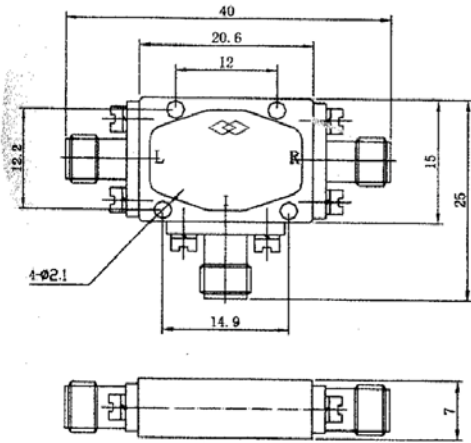
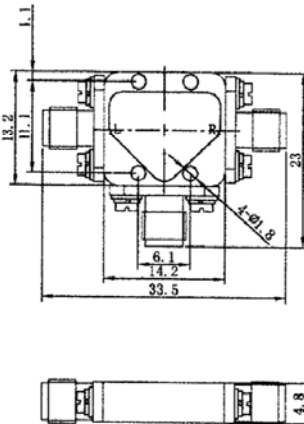


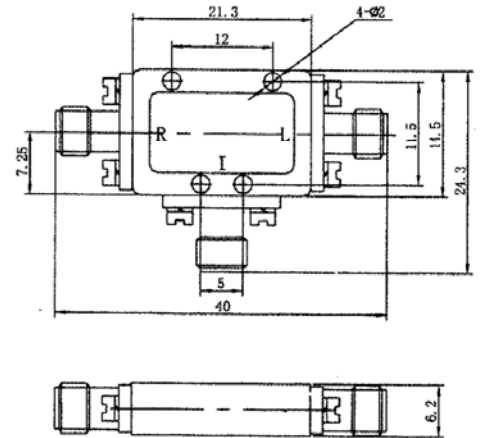
Outline drawings and outline dimensions(mm):



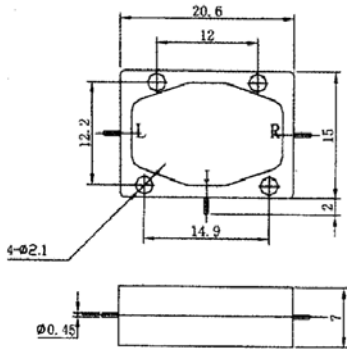
M01



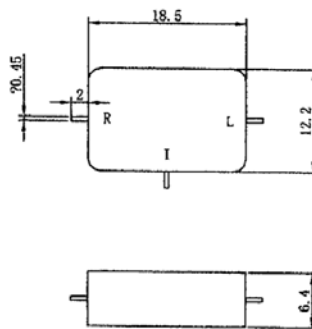
M02



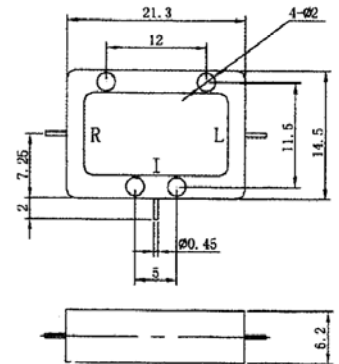
M03



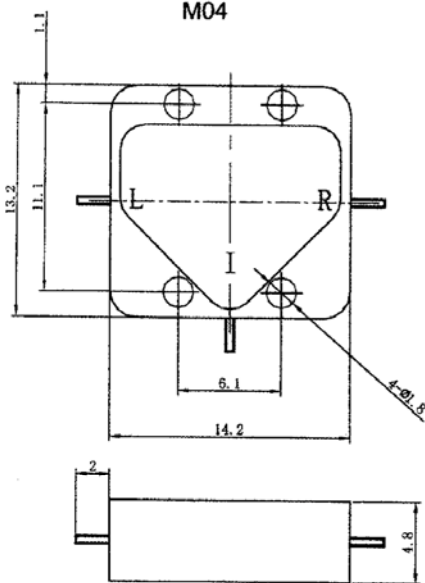
M04



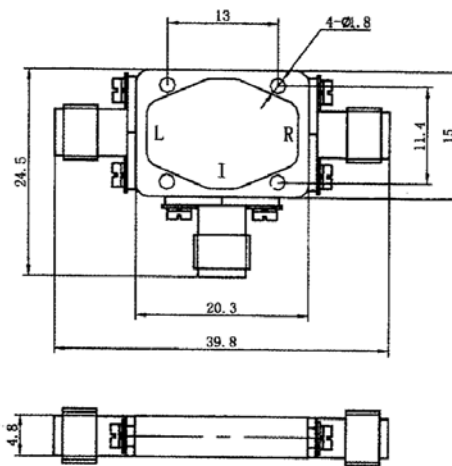
M05



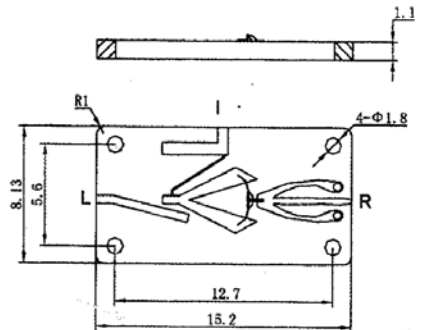
M06



M07



M08



M09