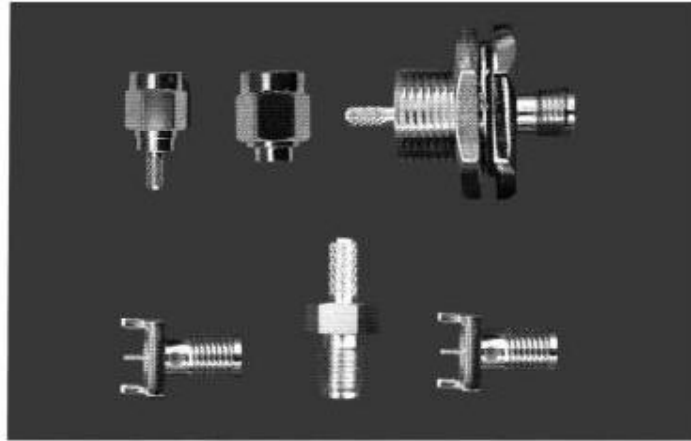


**SERIES SMA**  
**REVERSE POLARITY RF COAXIAL CONNECTORS**



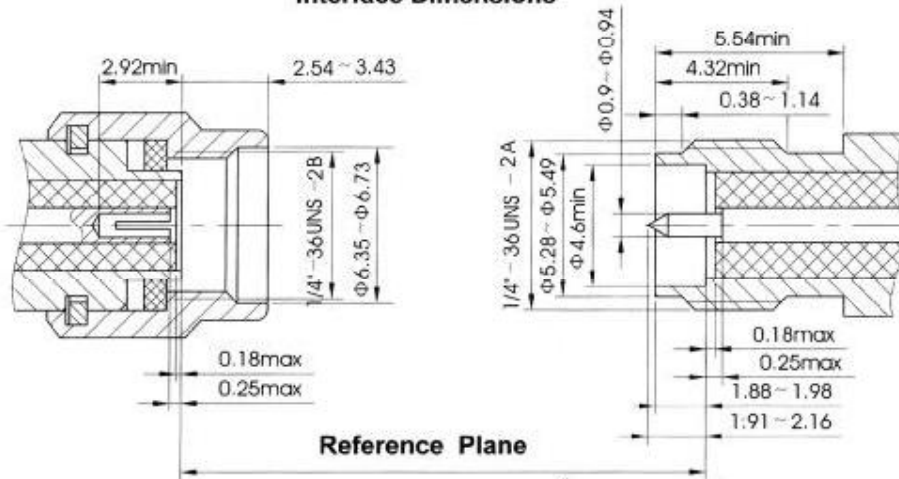
**Key performance**

- Characteristic Impedance : 50 Ω
- Frequency range :
  - Flexible cable: 0~12.4 Ghz
  - Semi-rigid/comfortable cable: 0~18GHz
- Contact resistance :
  - Center conductor  $\leq 3.0m\ \Omega$
  - Out conductor  $\leq 2.0m\ \Omega$
- VSWR :
  - Flexible cable:  $\leq 1.15+0.02f$
  - Semi-rigid/comfortable cable:  $\leq 1.10+0.01f$
- Insulator voltage withstanding : 750V
- Connector durability : 500 cycles
- Applicable spec/std: MIL-STD-202

**Material**

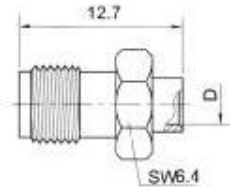
- Center contacts:
  - Male---brass, gold plated.
  - Female---beryllium copper, gold plated
- Bodies and other metal parts:
  - brass, gold plated
- Insulators: Teflon
- Crimp ferrule: copper, nickel plated.
- Gasket and seal rings: silicone rubber
- Heat-shrink tubing: thermofit plastic.

**Interface Dimensions**

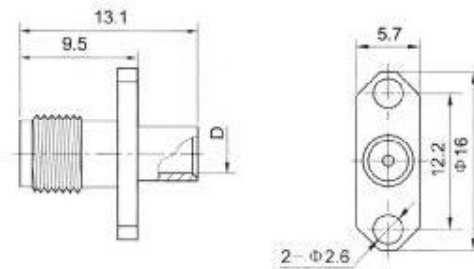


# REVERSE POLARITY SMA

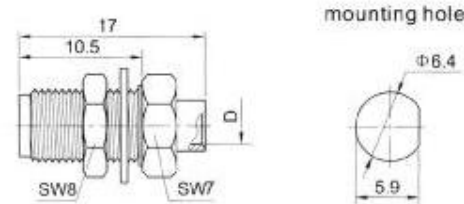
# CERNEXWAVE



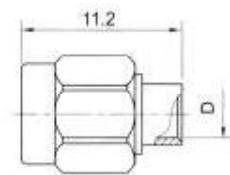
Type	part number	suitable cable	D	Note
SMA-FJB2	8110-6601	B2	φ2.2	
SMA-FJB3	8110-6602	B3	φ3.6	



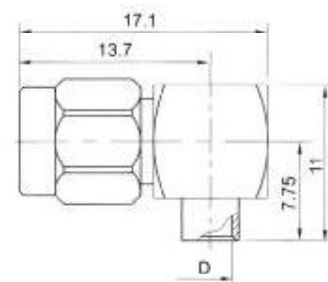
Type	part number	suitable cable	D	Note
SMA-FJFB2	8110-1601	B2	φ2.2	
SMA-FJFB3	8110-1602	B3	φ3.6	



Type	part number	suitable cable	D	Note
SMA-FJYB2	8110-2601	B2	φ2.2	
SMA-FJYB3	8110-2602	B3	φ3.6	



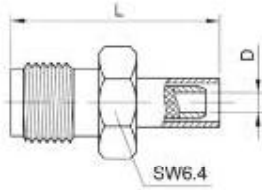
Type	part number	suitable cable	D	Note
SMA-FKB2	8120-6601	B2	φ2.2	
SMA-FKB3	8120-6602	B3	φ3.6	



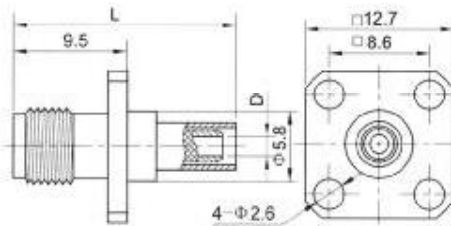
Type	part number	suitable cable	D	Note
SMA-FKWB2	8140-6601	B2	φ2.2	
SMA-FKWB3	8140-6602	B3	φ3.6	

# REVERSE POLARITY SMA

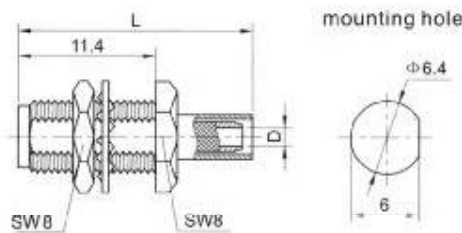
# CERNEXWAVE



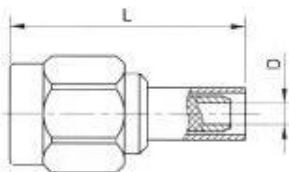
Type	part number	suitable cable	L	D	Note
SMA-FJ3	8110-6501	3	18.6	Φ1.6	
SMA-FJ5	8110-6502	5	24	Φ2.3	



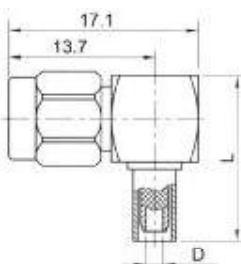
Type	part number	suitable cable	L	D	Note
SMA-FJF3	8110-1501	3	18.5	Φ1.6	
SMA-FJF5	8110-1502	5	24	Φ3.1	



Type	part number	suitable cable	L	D	Note
SMA-FJY3	8110-2501	3	19.9	Φ1.6	
SMA-FJY5	8110-2502	5	25.3	Φ3.1	



Type	part number	suitable cable	L	D	Note
SMA-FK3	8120-6501	3	18.1	Φ1.6	
SMA-FK5	8120-6502	5	25.5	Φ3.1	



Type	part number	suitable cable	L	D	Note
SMA-FKW3	8140-6501	3	13.8	Φ1.6	
SMA-FKW5	8140-6502	5	19.3	Φ3.1	