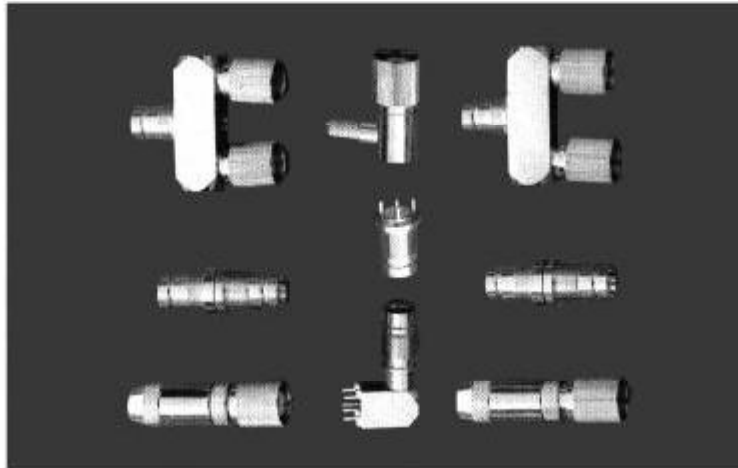


**SERIES L9-75  
RF COAXIAL CONNECTORS**



**Key performance**

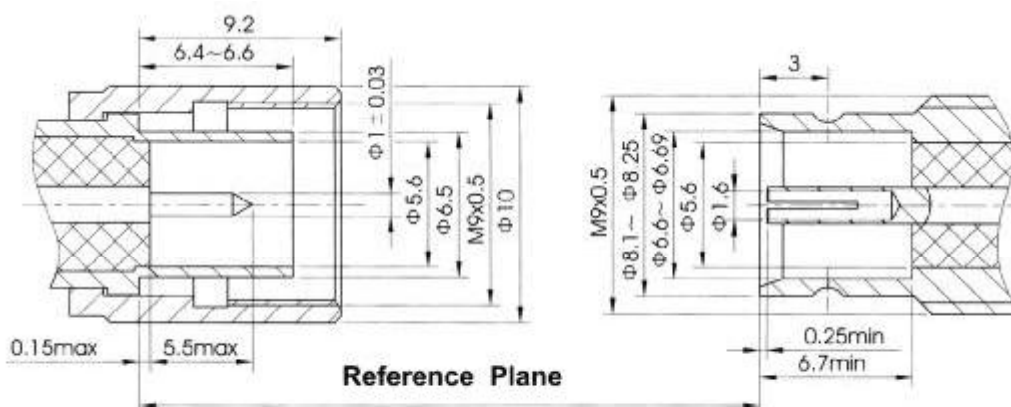
Characteristic Impedance : 75 Ω  
 Frequency range : 0~1GHz  
 Contact resistance :  
     Center conductor ≤ 10.0m Ω  
     Out conductor ≤ 4.0m Ω  
 Insulation resistance : ≥ 1000M Ω  
 Insulator voltage withstanding : 1000V  
 VSWR : ≤ 1.30  
 Connector durability : 500 cycles

**Applicable spec/std : IEC169-13**

**Material**

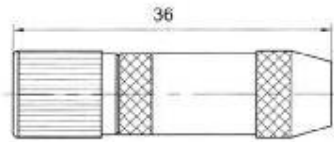
Center contacts:  
     Male---brass, gold plated.  
     Female---phosphor bronze, gold plated  
 Bodies and other metal parts:  
     brass, gold or nickel plated  
 Insulators: Teflon  
 Crimp ferrule: copper, nickel plated.  
 Gasket and seal rings: silicone rubber  
 Heat-shrink tubing: thermofit plastic.

**Interface Dimensions**

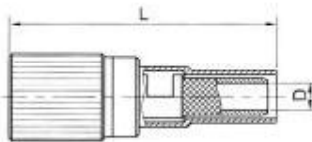


# L9-75 SERIES

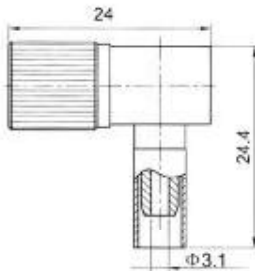
# CERNEXWAVE



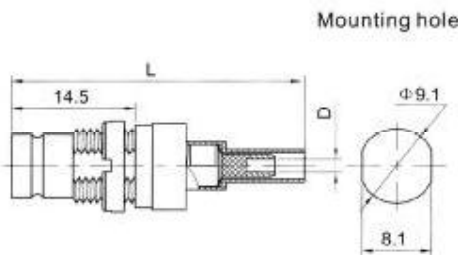
Type	part number	suitable cable	Note
L9-75J3	5611-6502	3	
L9-75J12YC	5611-6510	12	



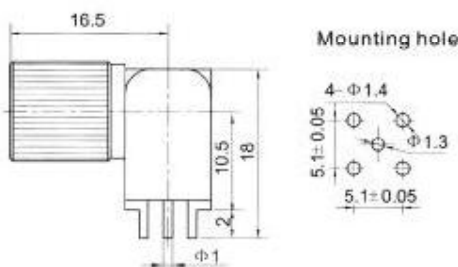
Type	part number	suitable cable	L	D	Note
L9-75J3Y	5611-6503	3	25.6	Φ1.6	
L9-75J12Y	5611-6508	12	31	Φ3.1	



Type	part number	suitable cable	Note
L9-75JW12Y	5631-6501	12	



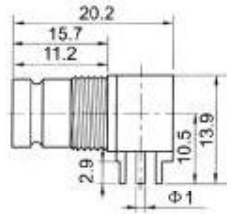
Type	part number	suitable cable	L	D	Note
L9-75KY3Y	5621-2501	3	27.5	Φ1.6	
L9-75KY4Y	5621-2502	4	37	Φ2.2	



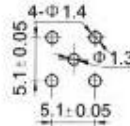
Type	part number	Note
L9-75JWHD	5631-5801	

# L9-75 SERIES

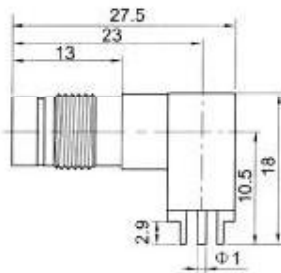
# CERNEXWAVE



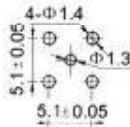
Mounting hole



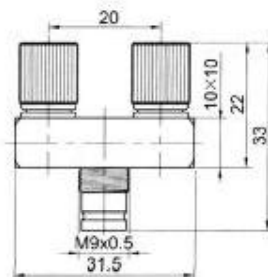
Type	part number	Note
L9-75KWHD	5641-5801	



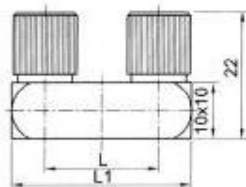
Mounting hole



Type	part number	Note
L9-75KWHD1	5642-5802	



Type	part number	Note
L9-75JKJW	5601-6901	



Type	part number	L	L1	Note
L9-75JWW	5601-6902	15	26.5	
L9-75JWWA	5601-6903	20	31.5	