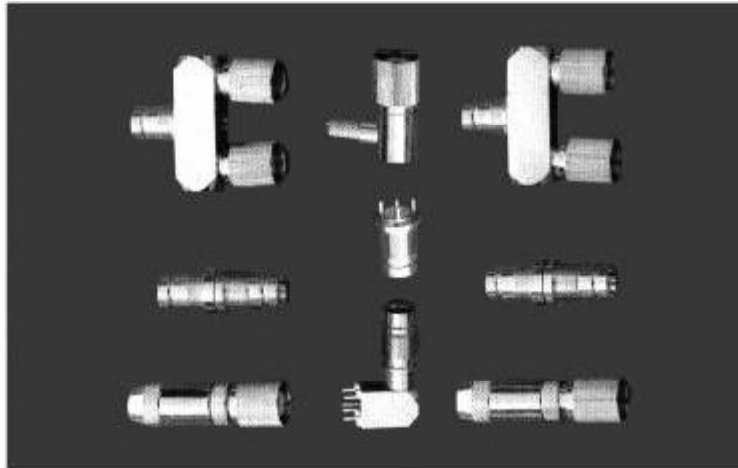


**SERIES L9-75
RF COAXIAL CONNECTORS**



Key performance

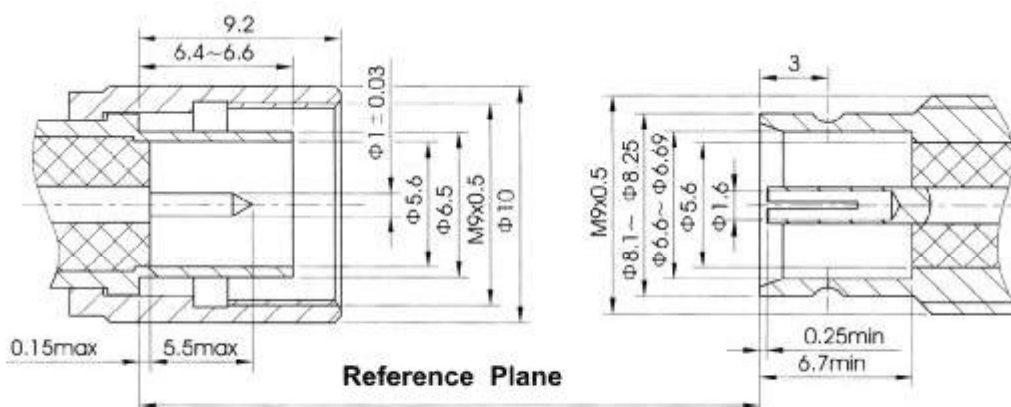
Characteristic Impedance : 75 Ω
 Frequency range : 0~1GHz
 Contact resistance :
 Center conductor ≤ 10.0m Ω
 Out conductor ≤ 4.0m Ω
 Insulation resistance : ≥ 1000M Ω
 Insulator voltage withstanding : 1000V
 VSWR : ≤ 1.30
 Connector durability : 500 cycles

Applicable spec/std : IEC169-13

Material

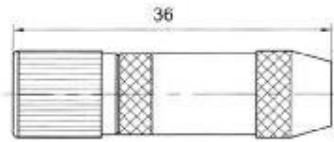
Center contacts:
 Male---brass, gold plated.
 Female---phosphor bronze, gold plated
 Bodies and other metal parts:
 brass, gold or nickel plated
 Insulators: Teflon
 Crimp ferrule: copper, nickel plated.
 Gasket and seal rings: silicone rubber
 Heat-shrink tubing: thermofit plastic.

Interface Dimensions

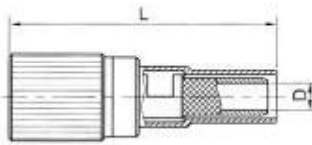


L9-75 SERIES

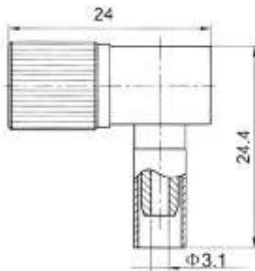
CERNEXWAVE



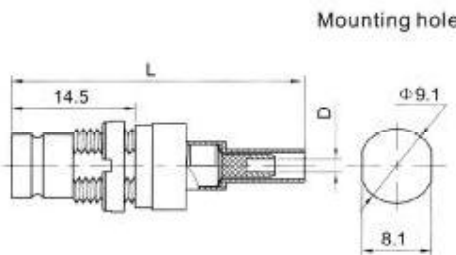
Type	part number	suitable cable	Note
L9-75J3	5611-6502	3	
L9-75J12YC	5611-6510	12	



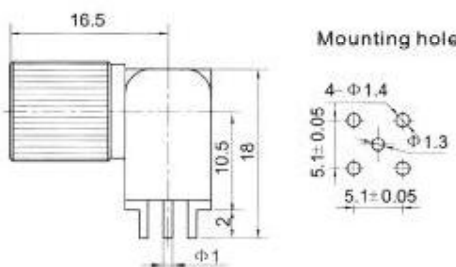
Type	part number	suitable cable	L	D	Note
L9-75J3Y	5611-6503	3	25.6	Φ1.6	
L9-75J12Y	5611-6508	12	31	Φ3.1	



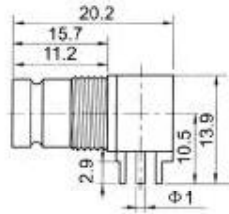
Type	part number	suitable cable	Note
L9-75JW12Y	5631-6501	12	



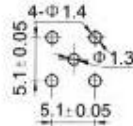
Type	part number	suitable cable	L	D	Note
L9-75KY3Y	5621-2501	3	27.5	Φ1.6	
L9-75KY4Y	5621-2502	4	37	Φ2.2	



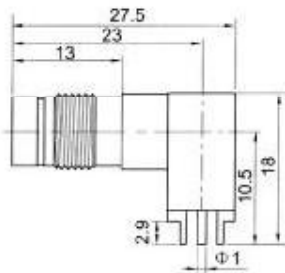
Type	part number	Note
L9-75JWHD	5631-5801	



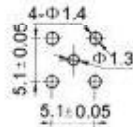
Mounting hole



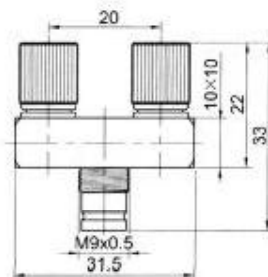
Type	part number	Note
L9-75KWHD	5641-5801	



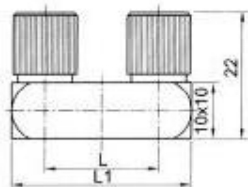
Mounting hole



Type	part number	Note
L9-75KWHD1	5642-5802	



Type	part number	Note
L9-75JKJW	5601-6901	



Type	part number	L	L1	Note
L9-75JWW	5601-6902	15	26.5	
L9-75JWWA	5601-6903	20	31.5	