

**SERIES K
RF COAXIAL CONNECTORS**



Series K millimeter wave style RF connector is developed based on series SMA. It can crossing-over with series SMA, used in air interface. Series K connector has many advantages, such as small size, light weight, high frequency and reliable connection etc.

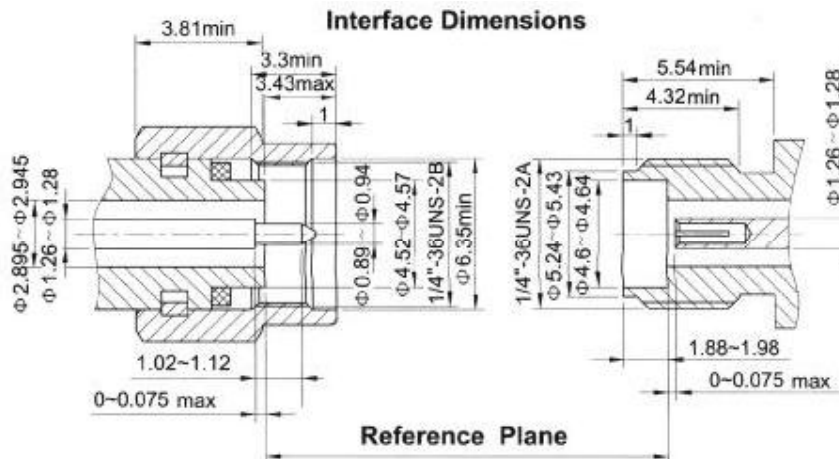
Key performance

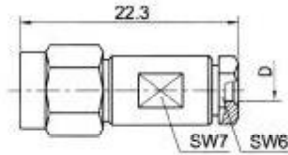
- Characteristic Impedance : 50 Ω
- Frequency range : 0~40GHz
- Contact resistance :
 - Center conductor ≤4.0m Ω
 - Out conductor ≤2.0m Ω
- Insulation resistance : ≥3000M Ω
- Insulator voltage withstanding : 1000V
- VSWR : ≤1.05+0.015f(GHz)
- Connector durability : 500 cycles

Applicable spec/std : MIL-C-39012

Material

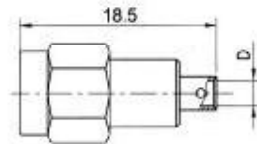
- Center contacts:
 - Male---brass, gold plated.
 - Female---beryllium copper, gold plated
- Bodies and other metal parts:
 - brass, gold plated
- Insulators: Teflon
- Crimp ferrule: copper, nickel plated.
- Gasket and seal rings: silicone rubber
- Heat-shrink tubing: thermofit plastic.





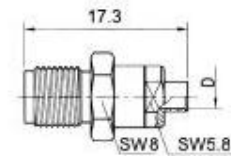
Type part number suitable cable D Note

K-JB2	2310-6601	B2	Φ2.2	coupling nut, stainless steel
K-JB3	2310-6602	B3	Φ3.6	coupling nut, stainless steel



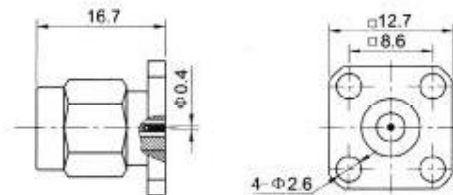
Type part number suitable cable D Note

K-JB2G	2314-6601	B2	Φ2.4	Stainless steel body
K-JB3G	2314-6602	B3	Φ3.6	Stainless steel body



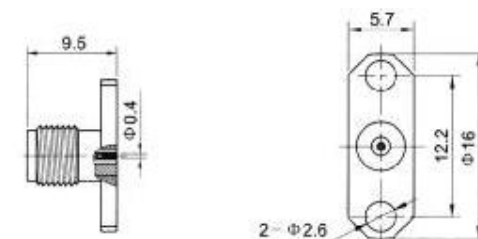
Type part number suitable cable D Note

K-KB2	2320-6601	B2	Φ2.4	
K-KB2	2320-6603	B3	Φ3.6	



Type part number Note

K-JFD	2310-0001		Stainless steel body
			suitable pin 0.4 ^{-0.01} / _{-0.05}



Type part number Note

K-KFDG	2324-0001		Stainless steel body
			suitable pin 0.4 ^{-0.01} / _{-0.05}